

HH/HW HHS/HWS

50/60Hz

Hot Water Circulator Pump
Booster Pump Of Water Heater





HH/HHS

General Data

Application	1
Features And Benefits	1
Accessories	1

HW/HWS

General Data

Application	2
Features And Benefits	2
Accessories	2

HH

Technical Data

Performance Curves	3
Specifications	3
Dimensions and Weights	3

HW

Technical Data

Performance Curves	4
Specifications	4
Dimensions and Weights	4

HHS

Technical Data

Performance Curves	5
Specifications	5
Dimensions and Weights	5

HWS

Technical Data

Performance Curves	6
Specifications	6
Dimensions and Weights	6

HH / HW / HHS / HWS Hot Water Circulator Pump

Hot water pumps constitute a complete range of 3-speed circulator pumps, available both in 50&60 Hz.

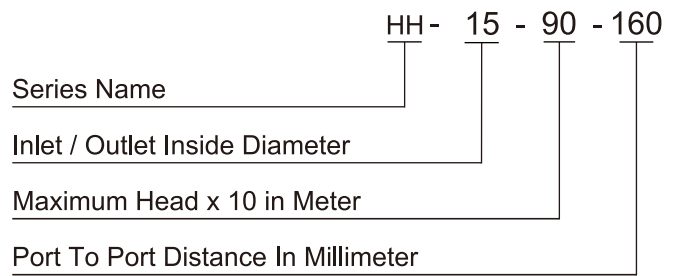
The pumps can be used in both open and closed systems.

HH & HW pumps are of the canned -motor type, i.e. pump and motor form an integral unit without a shaft seal and with only two ceramic bearing for sealing.

The bearings are lubricated by the pumped liquid.



Model Code



HH:Cast iron
HHS:Stainless steel

Applications

Hot water circulator pumps are designed for circulation of liquids in heating and air-conditioning systems. Examples of typical applications are:

- One- and two-pipe heating systems
- Main pumps
- Zone pumps
- Boiler shunt pumps
- Pumps for heating surfaces
- Calorifiers
- Underfloor heating systems
- Solar heating systems
- Heat pump systems
- Geothermal heating systems
- Heat recovery systems
- Two-pipe air-conditioning systems
- Pumps for refrigeration units

TF: 60
IP: 42
Max: 6bar
Class: H

Features And Benefits

- Low noise
- Low energy
- Available with corrosion-resistant stainless steel pump casing
- High volume of water
- Easy to installation
- Include cable and plug

Accessories

HH-Standard



Filter x 1 + Union x 1
 (3/4" to 1/2")

HH-Optional



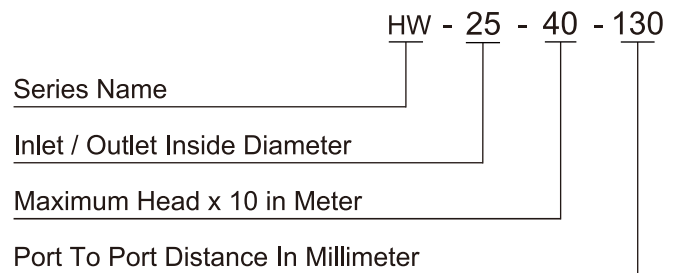
L shape fixtur



Plastic base



Model Code



HW:Cast iron
HWS:Stainless steel

Applications

Hot water circulator pumps are designed for circulation of liquids in heating and air-conditioning systems. Examples of typical applications are:

- One- and two-pipe heating systems
- Main pumps
- Zone pumps
- Boiler shunt pumps
- Pumps for heating surfaces
- Calorifiers
- Underfloor heating systems
- Solar heating systems
- Heat pump systems
- Geothermal heating systems
- Heat recovery systems
- Two-pipe air-conditioning systems
- Pumps for refrigeration units

TF: 110
IP: 44
Max: 10bar
Class: H

Features And Benefits

- Low noise
- Low energy
- Available with corrosion-resistant stainless steel pump casing
- High volume of water
- Easy to installation

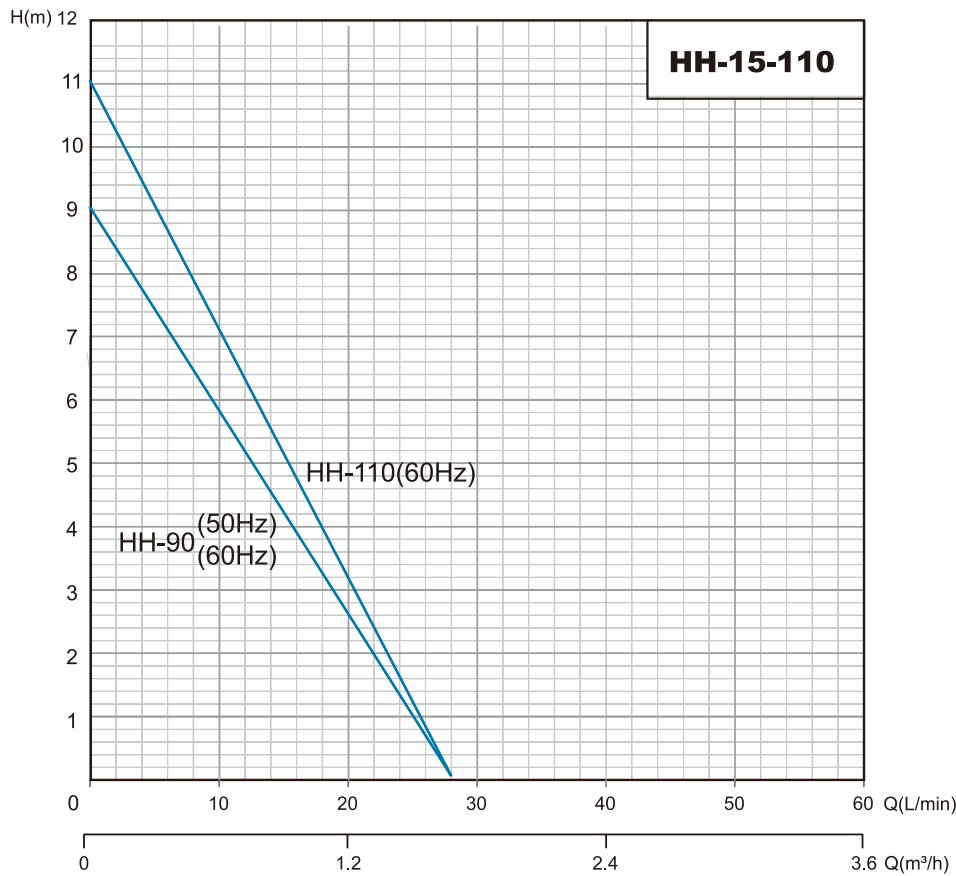
Accessories

Optional



Union 1-1/2" to 3/4"
 or
 1-1/2" to 1"

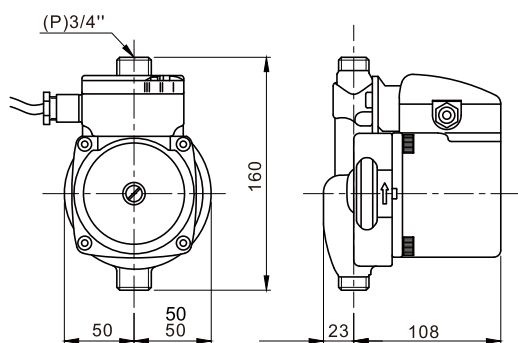
Performance Curves



Specifications

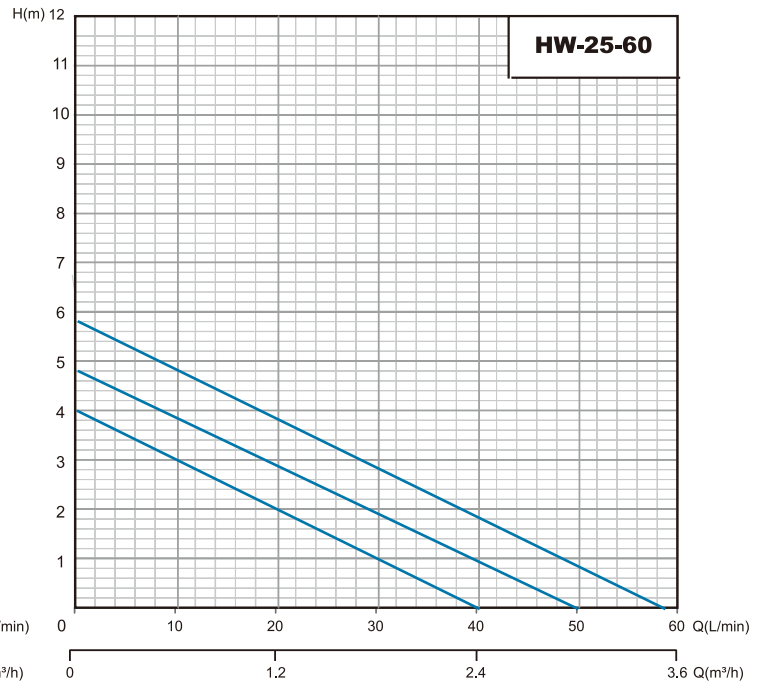
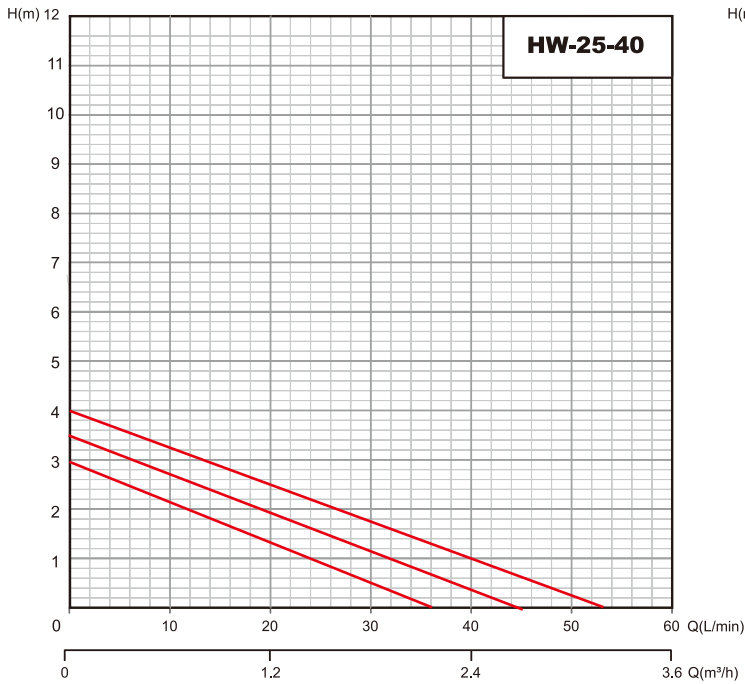
Model	Hz	Phase	Voltage (V)	Power (W)	MAX. Head(m)	MAX. Flow Q (m³/h)	Current (A)	input/output	Pipe connection Union
HH-15-90-160	50	1Φ	220 - 240V	110	9	1.5	0.48	3/4"	1/2
HH-15-90-160	60	1Φ	110 - 127V	110	9	1.5	1.0	3/4"	1/2
HH-15-90-160	60	1Φ	220V-240V	110	9	1.5	0.48	3/4"	1/2
HH-15-110-160	60	1Φ	110 - 127V	120	11	1.5	1.1	3/4"	1/2
HH-15-110-160	60	1Φ	220V-240V	120	11	1.5	0.56	3/4"	1/2

Dimensions and Weights



Model	Carton Perpallet	Pallet Size	Pallet Dimension L x W x H (cm)	Weight (kg)
HH-15-90-160	6	45	90 x 100 x 148	2.77
HH-15-90-160	6	45	90 x 100 x 148	2.76
HH-15-90-160	6	45	90 x 100 x 148	2.76
HH-15-110-160	6	45	90 x 100 x 148	2.77
HH-15-110-160	6	45	90 x 100 x 148	2.77

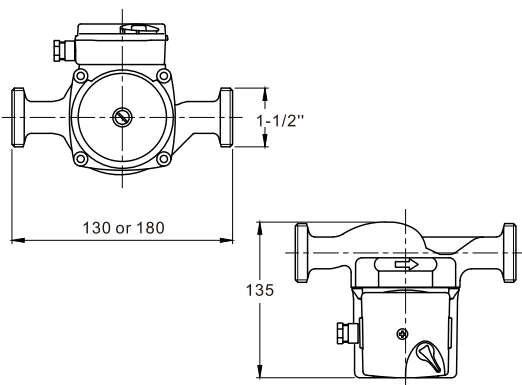
Performance Curves



Specifications

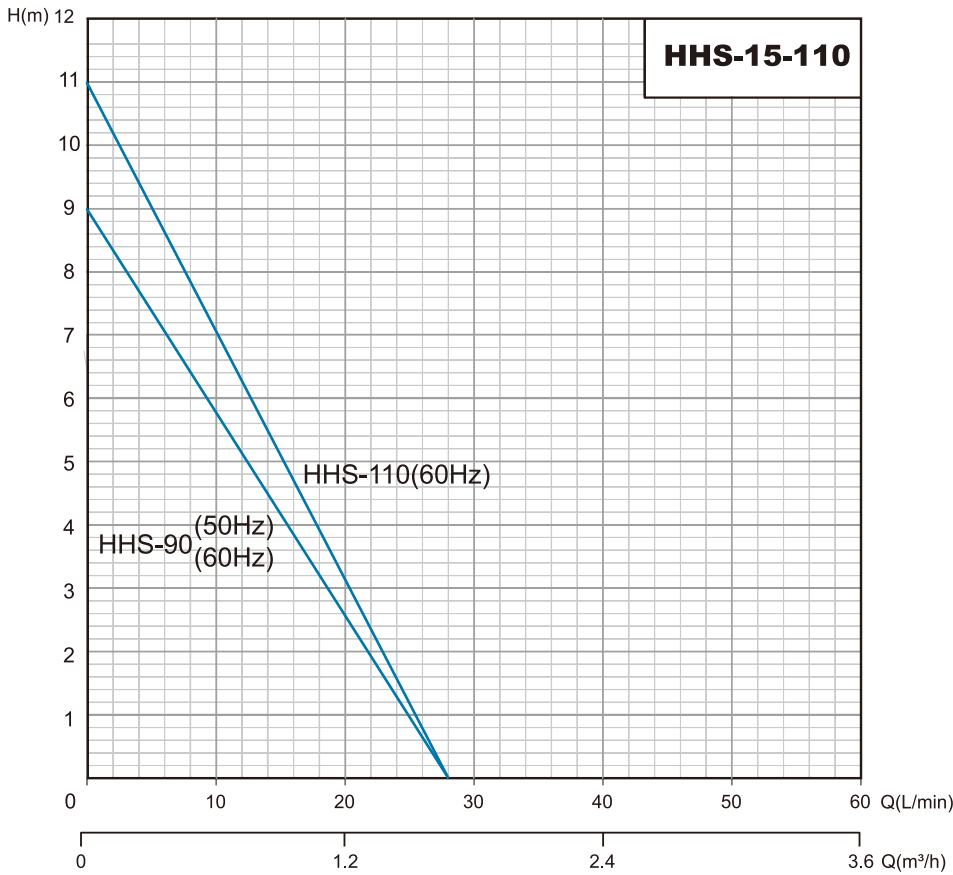
Model	Hz	Phase	Voltage (V)	Power(W) ≡ = -	MAX. Head(m)	MAX. FLOW (m³/h)	Current(A)			input/output
							≡	=	-	
HW-25-40-130	50	1Φ	220 - 240V	62 / 53 / 43	4	3.2	0.27	0.23	0.19	1-1/2"
HW-25-40-180	50	1Φ	220 - 240V	62 / 53 / 43	4	3.2	0.27	0.23	0.19	1-1/2"
HW-25-60-130	50	1Φ	220 - 240V	73 / 60 / 46	6	3.5	0.32	0.26	0.20	1-1/2"
HW-25-60-180	50	1Φ	220 - 240V	73 / 60 / 46	6	3.5	0.32	0.26	0.20	1-1/2"
HW-25-60-130	60	1Φ	220 - 240V	80 / 65 / 50	6	3.5	0.37	0.29	0.22	1-1/2"
HW-25-60-180	60	1Φ	220 - 240V	80 / 65 / 50	6	3.5	0.37	0.29	0.22	1-1/2"
HW-25-60-130	60	1Φ	110 - 127V	80 / 65 / 50	6	3.5	0.73	0.29	0.22	1-1/2"
HW-25-60-180	60	1Φ	110 - 127V	80 / 65 / 50	6	3.5	0.73	0.29	0.22	1-1/2"

Dimensions and Weights



Model	Carton Perpallet	Pallet Size	Pallet Dimension L x W x H (cm)	Weight (kg)
HW-25-40-130	6	45	110 x 115 x 148	2.45
HW-25-40-180	6	45	110 x 115 x 148	2.69
HW-25-60-130	6	45	110 x 115 x 148	2.45
HW-25-60-180	6	45	110 x 115 x 148	2.69
HW-25-60-130	6	45	110 x 115 x 148	2.45
HW-25-60-180	6	45	110 x 115 x 148	2.69
HW-25-60-130	6	45	110 x 115 x 148	2.45
HW-25-60-180	6	45	110 x 115 x 148	2.69

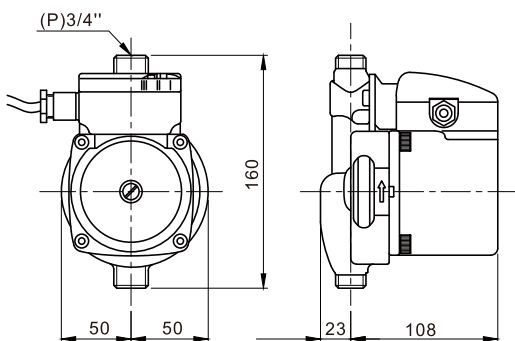
Performance Curves



Specifications

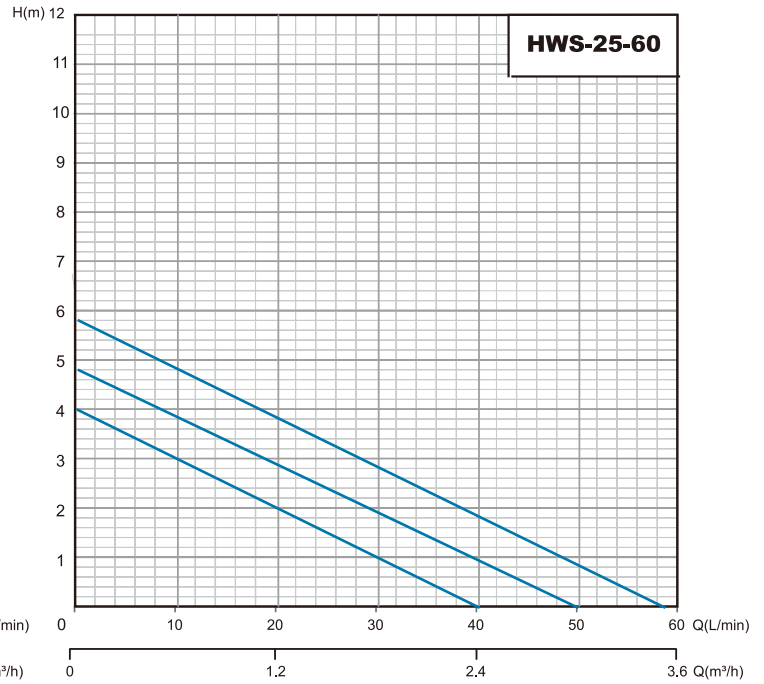
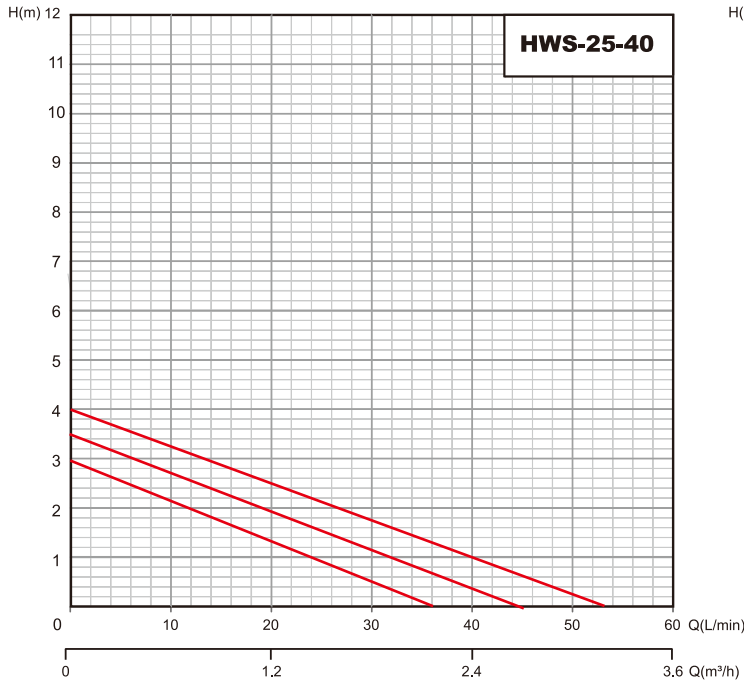
Model	Hz	Phase	Voltage (V)	Power (W)	MAX. Head(m)	MAX. Flow (m³/h)	Current (A)	input/output	Pipe connection Union
HHS-15-90-160	50	1Φ	220 - 240V	110	9	1.5	0.48	3/4"	1/2
HHS-15-90-160	60	1Φ	110 - 127V	110	9	1.5	1.0	3/4"	1/2
HHS-15-90-160	60	1Φ	220V-240V	110	9	1.5	0.48	3/4"	1/2
HHS-15-110-160	60	1Φ	110 - 127V	120	11	1.5	1.1	3/4"	1/2
HHS-15-110-160	60	1Φ	220V-240V	120	11	1.5	0.56	3/4"	1/2

Dimensions and Weights



Model	Carton Perpallet	Pallet Size	Pallet Dimension L x W x H (cm)	Weight (kg)
HHS-15-90-160	6	60	90 x 100 x 148	2.96
HHS-15-90-160	6	60	90 x 100 x 148	2.94
HHS-15-90-160	6	60	90 x 100 x 148	2.94
HHS-15-110-160	6	60	90 x 100 x 148	2.96
HHS-15-110-160	6	60	90 x 100 x 148	2.96

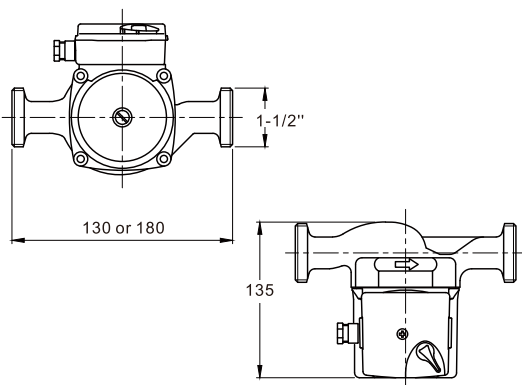
Performance Curves



Specifications

Model	Hz	Phase	Voltage (V)	Power(W) ≡ = -	MAX. Head(m)	MAX. FLOW (m³/h)	Current(A) ≡ = -	input/output
HWS-25-40-130	50	1Φ	220 - 240V	62 / 53 / 43	4	3.2	0.27/0.23/0.19	1-1/2"
HWS-25-40-180	50	1Φ	220 - 240V	62 / 53 / 43	4	3.2	0.27/0.23/0.19	1-1/2"
HWS-25-60-130	50	1Φ	220 - 240V	73 / 60 / 46	6	3.5	0.32/0.26/0.20	1-1/2"
HWS-25-60-180	50	1Φ	220 - 240V	73 / 60 / 46	6	3.5	0.32/0.26/0.20	1-1/2"
HWS-25-60-130	60	1Φ	220 - 240V	80 / 65 / 50	6	3.5	0.37/0.29/0.22	1-1/2"
HWS-25-60-180	60	1Φ	220 - 240V	80 / 65 / 50	6	3.5	0.37/0.29/0.22	1-1/2"
HWS-25-60-130	60	1Φ	110 - 127V	80 / 65 / 50	6	3.5	0.73/0.29.0.22	1-1/2"
HWS-25-60-180	60	1Φ	110 - 127V	80 / 65 / 50	6	3.5	0.73/0.29.0.22	1-1/2"

Dimensions and Weights



Model	Carton Perpallet	Pallet Size	Pallet dimension L x W x H (cm)	Weight (kg)
HWS-25-40-130	6	45	110 x 115 x 148	2.45
HWS-25-40-180	6	45	110 x 115 x 148	2.77
HWS-25-60-130	6	45	110 x 115 x 148	2.45
HWS-25-60-180	6	45	110 x 115 x 148	2.77
HWS-25-60-130	6	45	110 x 115 x 148	2.45
HWS-25-60-180	6	45	110 x 115 x 148	2.77
HWS-25-60-130	6	45	110 x 115 x 148	2.45
HWS-25-60-180	6	45	110 x 115 x 148	2.77



 **STAIRS**

No.6-7-1,Shanzijiao, Lucao Township, Chiayi County 61158, Taiwan
Tel: +886 5 3750488 Fax: +886 5 3755658
www.stairs.com.tw E-mail:stairs@stairs.com.tw

1130604